

PDG Mobility™

Product catalogue

permobil

pdg
MOBILITY

Our Story

History


PDG Mobility was founded in Vancouver, Canada in 1995 with the mission to design and manufacture custom wheelchairs for users whose needs were not met by existing devices. Our first model was the Eclipse. Over the following decade, we launched our iconic Stellar, Bentley, and Fuze tilt chairs. In September 2023, PDG Mobility was acquired by Permobil.

A precise fit every time

PDG Mobility serves customers across the globe. Our comprehensive selection of unique chairs and our ability to customize any product facilitates a precise fit every time, no matter how basic or complex the requirements are.

More than 100,000 chairs have rolled off our production line since the first Eclipse was built nearly 30 years ago. Our designs continue to evolve, but at their core they will always focus on adaptability, durability, and dependability.

We stand behind our chairs with a full life-time warranty on frames and our exclusive thank-goodness-it-fits guarantee.

All PDG chairs are built in Canada. 

Contact us

PDG Product Design Group Inc.

888 858 4422 | 604 323 9220

info@pdgmobility.com

pdgmobility.com

318 East Kent Avenue South
Vancouver BC V5X 4N6 Canada



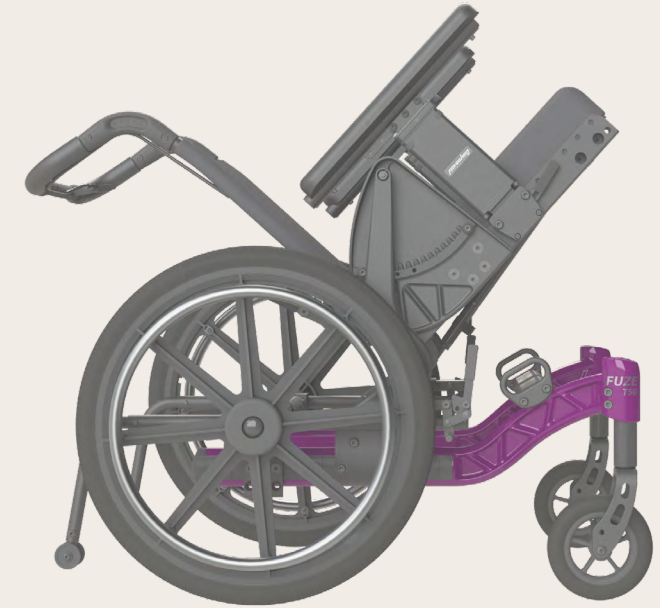
Our Chairs

Tilt

The Fuze is an adaptable tilt chair with a sleek aluminum frame and a small footprint. It is available with either 20° or 50° of effortless tilt. Set-up and adjustments of the Fuze are fast and easy and require only simple tools. Learn more on pages 4-9.

The Bentley is a 20° no-knee-rise tilt chair that is ideal for foot propelling. It is available with a rugged steel frame suitable for high tone/agitated users or with a lightweight aluminum frame weighing only 33 lbs. Learn more on pages 10-13.

The Stellar is a highly adaptable 45° low-knee-rise tilt chair that is available in a variety of styles to address different user needs. With the rugged steel or the lightweight aluminum frame, and with options such as heavy-duty bariatric upgrades or anterior tilt, there is a perfect Stellar for every user. Learn more on pages 10-18.



Bariatric

The Eclipse is a rigid chair designed for the bariatric user. Available with seat widths of up to 48", the Eclipse supports up to 1000 lbs of occupant weight. Extended casters achieve optimal weight balance on the rear wheels for excellent ease of propulsion. Learn more on page 19.



Permobil

PDG Mobility is proud to be part of the Permobil family, one of the world's leading manufacturers in complex rehab technology.

Combined, PDG Mobility and Permobil have over 80 years of experience of leading quality within manual and power wheelchairs, power assist, seating solutions and services.

FUZE™ T50

The Fuze T50 has a sleek aluminum frame with an infinitely adjustable tilt range of 50°. The chair is lightweight, has a small footprint, and is easy to set up and adjust. The T50 is PDG's best-selling tilt chair.



The adaptable Fuze T50 offers a wide range of accessories and attachments. It is our most versatile tilt chair.



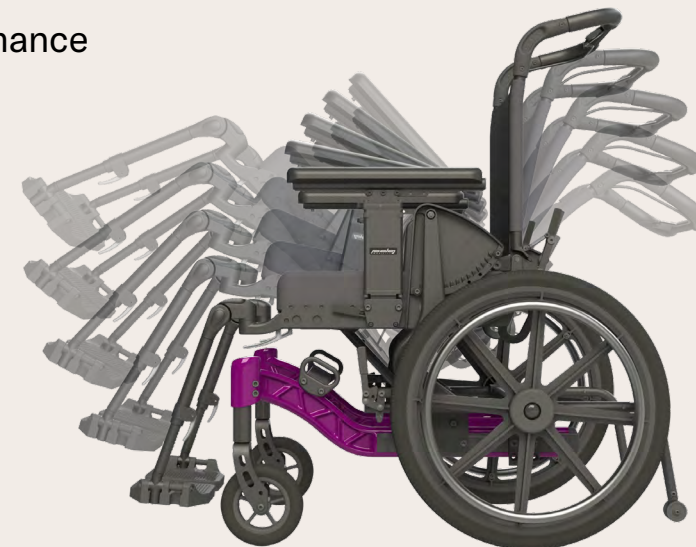
Dynamic tilt	Up to 50°	Seat height	13" – 20"
Weight capacity	Up to 400 lb	Back seat angle	90° – 122°
Seat width	13" – 24"	Overall width	+7.5" – 8.5"
Seat depth	15" – 22"	Chair weight	44 lb

Exclusive features

- A unique center of gravity pivot point
- Effortless and maintenance-free tilt performance
- Simple center of gravity adjustments

Available options (see order form)

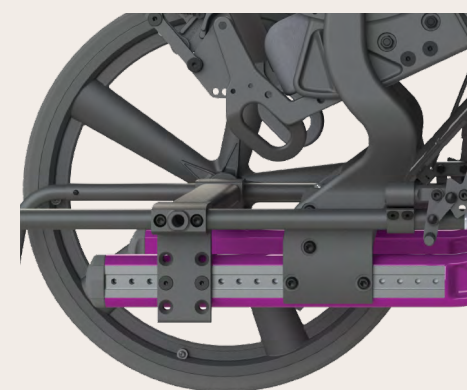
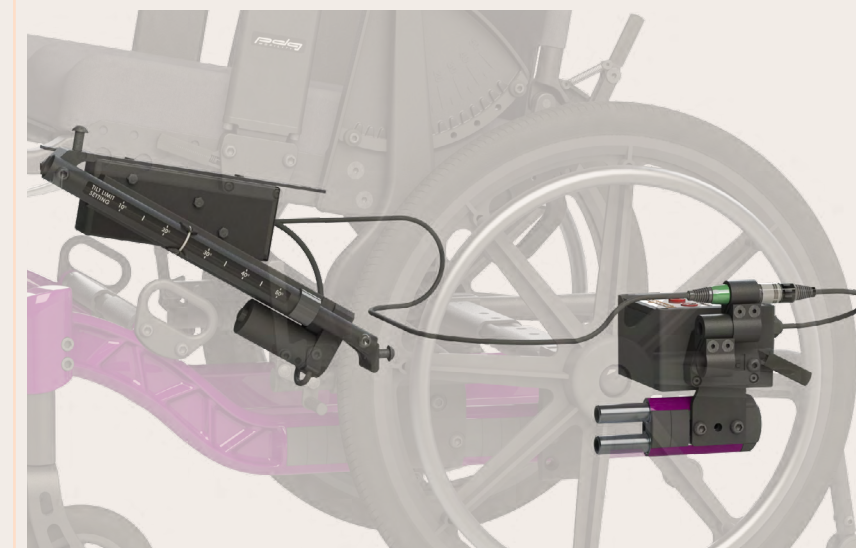
- Transit tie downs WC-19 & ISO-7176-19
- 30° manual dynamic recline
- Power tilt up to 350 lbs
- Adjustable width frame
- Take-Apart frame



Take-Apart | Take the chair apart for transportation or storage in seconds without tools.



Power Tilt | 0 to full tilt in 20 seconds | up to 350 lbs



Adjustable Axle and Seat Position



Improved Fold-down Backrest



Reclining Backrest | up to 30° of recline

FUZE T50n

The Fuze T50n has a sleek aluminum frame with an infinitely adjustable tilt range of 50°. The n stands for narrow, referring to the chair's overall width of seat width plus only 4". This makes the T50n substantially narrower than other tilt chairs.



A fully featured 50° tilt chair with the footprint of a transport chair.



The overall width of a T50n with a 20" seat is only 24". By comparison, a standard T50 with the same seat is 28.5" wide (27.5" without handrims).

Dynamic tilt	Up to 50°	Seat height	16" – 20"
Weight capacity	Up to 400 lb	Back seat angle	90° – 122°
Seat width	16" – 24"	Overall width	+4.0"
Seat depth	15" – 22"	Chair weight	44 lb

Exclusive features

- A unique center of gravity pivot point
- Effortless and maintenance-free tilt performance
- Simple center of gravity adjustments

Available options (see order form)

- Transit tie downs WC-19 & ISO-7176-19
- 30° manual dynamic recline
- Power tilt up to 350 lbs
- Adjustable width frame
- Take-Apart frame



FUZE JR

The Fuze JR is a 50° tilt chair for mature pediatrics or petite adults. It features a unique center of gravity pivot and provides effortless and maintenance-free performance. The JR is a durable chair and comes with a growing frame.



Available options (see order form)

- Transit tie downs WC-19 & ISO-7176-19
- 30° manual dynamic recline
- Adjustable width frame
- Take-Apart frame



Dynamic tilt	Up to 50°	Seat height	13" – 20"
Weight capacity	200 lb	Back seat angle	84° – 120°
Seat width	12" – 18"	Overall width	+7.5" – 120"
Seat depth	13" – 18"	Chair weight	42 lb

TAKE-APART

The Take-Apart frame allows attendants to take the Fuze apart in seconds without tools. This feature reduces the weight of the heaviest piece of the wheelchair to 29 lbs or less. Perfect for transporting it in the trunk of a car or SUV.

Exclusive features

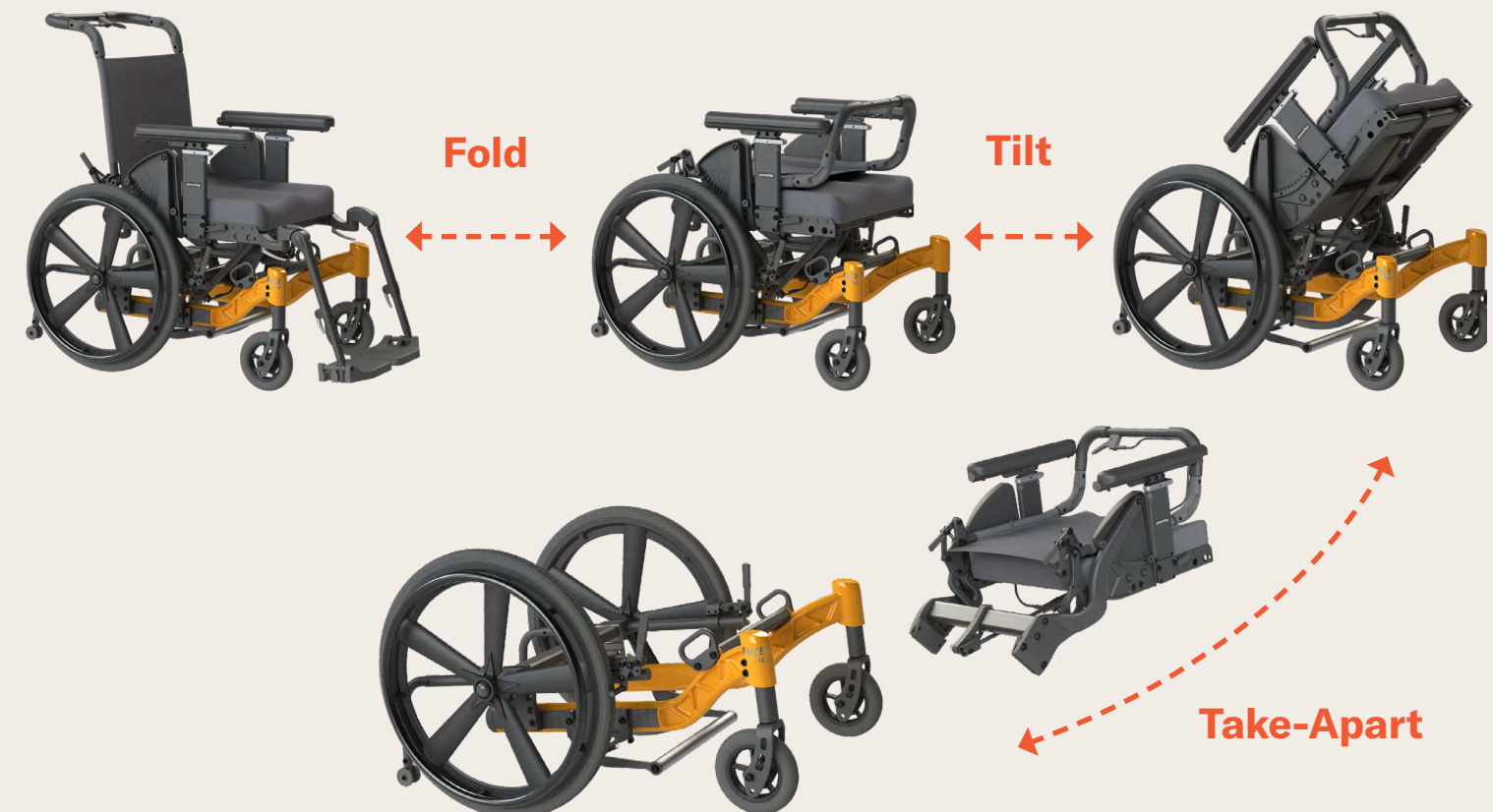
- Simple three-step operation that can be performed in seconds without any tools
- No need to remove seating from the chair (note: seating increases weight beyond 29 lbs)
- Once taken apart, a full-size chair will fit into the trunk of an SUV or sedan

Available for

- Fuze T50
- Fuze T50n
- Fuze JR



Visit pdgmobility.com/take-apart for more information and a video



BENTLEY™

The Bentley offers up to 20° of tilt from the front of the seat. This allows the user to keep their feet on the ground while the chair is fully tilted. The rigid frame provides stability and excellent maneuverability.



The standard Bentley's rugged steel frame makes it a great choice for heavier users or those with high tone/agitation.



Dynamic tilt	Up to 20°	Seat height	13" – 20"
Weight capacity	Up to 450 lb	Back seat angle	90° – 122°
Seat width	14" – 32"	Overall width	+9.5" – 10.5"
Seat depth	16" – 22"	Chair weight	51 lb

BENTLEY LT

Exclusive features (Bentley & Bentley LT)

- Foot and hand propel in tilt position with no knee-rise
- Short wheelbase for maneuverability
- Simple center of gravity adjustments

Available options (see order form)

- Transit tie downs WC-19 & ISO-7176-19
- 30° manual dynamic recline
- Power tilt



The lightweight design of the Bentley LT combines the benefits of tilt with a high degree of mobility independence.



Dynamic tilt	Up to 20°	Seat height	13" – 20"
Weight capacity	250 lb	Back seat angle	90° – 122°
Seat width	14" – 22"	Overall width	+9.5" – 10.5"
Seat depth	16" – 22"	Chair weight	33 lb

BENTLEY LT-R

The lightweight Bentley LT-R promotes user independence by offering improved self-propulsion and maneuverability through a reverse wheel layout. It tilts up to 20° from the front of the seat (no knee-rise during tilt).



20° lightweight tilt chair offering unmatched self-propulsion options.

Exclusive features (Bentley & Bentley LT)

- Super-low 12" STF Height available
- Short wheelbase for maneuverability
- Simple center of gravity adjustments

Available options (see order form)

- Transit tie downs WC-19 & ISO-7176-19
- 30° manual dynamic recline
- Power tilt



The drive wheels remain in an ergonomic position throughout the tilt range for superior wheel access for hand-propelling.

The Bentley LT-R complements PDG's 20° tilt chair lineup by supporting additional ergonomic hand and foot positions for self-propulsion.



Dynamic tilt	Up to 20°	Seat height	13" – 20"
Weight capacity	Up to 450 lb	Back seat angle	90° – 122°
Seat width	14" – 32"	Overall width	+9.5" – 10.5"
Seat depth	16" – 22"	Chair weight	51 lb

STELLAR™ GL

The Stellar GL is a versatile 45° low knee-rise tilt chair. It promotes self propulsion, table access, and participation in mobility related activities of daily living. The rigid frame provides stability and excellent maneuverability.



The Stellar GL's rugged steel frame makes it a great choice for heavier users or those with high tone/agitation.



Dynamic tilt	Up to 45°	Seat height	13" – 20"
Weight capacity	Up to 450 lb	Back seat angle	90° – 122°
Seat width	14" – 24"	Overall width	+9.5" – 10.5"
Seat depth	16" – 22"	Chair weight	51 lb

STELLAR GLT

Exclusive features (Stellar GL & GLT)

- Foot and hand propel in tilt position with low knee-rise
- Short wheelbase for maneuverability
- Simple center of gravity adjustments

Available options (see order form)

- Transit tie downs WC-19 & ISO-7176-19
- 30° manual dynamic recline
- Power tilt



The lightweight design of the Stellar GLT combines the benefits of 45° tilt with a high degree of mobility independence.



Dynamic tilt	Up to 45°	Seat height	13" – 20"
Weight capacity	250 lb	Back seat angle	90° – 122°
Seat width	14" – 22"	Overall width	+9.5" – 10.5"
Seat depth	16" – 22"	Chair weight	34 lb

STELLAR LEAP

The Stellar LEAP has a tilt range of 45° and combines posterior and anterior tilt in a single wheelchair. The LEAP offers enhanced user function and positioning, as well as standing transfer support through anterior tilt.



Available options (see order form)

- 20-30° of anterior plus 15-25° of posterior tilt (45° total range)
- Transit tie downs WC-19 & ISO-7176-19
- Power tilt (anterior/posterior)



Dynamic tilt	45° range	Seat height	13" – 18"
Weight capacity	250 lb	Back seat angle	90° – 122°
Seat width	14" – 24"	Overall width	+9.5" – 10.5"
Seat depth	16" – 22"	Chair weight	58 lb

STELLAR IMPACT

The Stellar Impact was designed for the most demanding chair users. It offers up to 45° tilt, and its ultra-tough steel construction provides maximum durability for high tone, highly agitated, and/or continuously rocking occupants.



Available options (see order form)

- Transit tie downs WC-19 & ISO-7176-19
- 30° manual dynamic recline
- Dynamic Rocker Back



Dynamic tilt	Up to 45°	Seat height	14" – 21"
Weight capacity	250 lb	Back seat angle	90° – 122°
Seat width	14" – 24"	Overall width	+9.5" – 10.5"
Seat depth	17" – 22"	Chair weight	64 lb

STELLAR HD

The Stellar HD is a bariatric wheelchair offering up to 45° of tilt and 600 lbs weight capacity. It features heavy-gauge steel reinforcement of the frame and other components. Multiple gas struts ensure effortless tilt operation.



Available options (see order form)

- 30° manual dynamic recline
- Dynamic Rocker Back



Dynamic tilt	Up to 45°	Seat height	16" – 18"
Weight capacity	Up to 600 lb	Back seat angle	90°
Seat width	22" – 32"	Overall width	+11"
Seat depth	18" – 22"	Chair weight	62 lb

ECLIPSE

The Eclipse is a rigid chair designed for the bariatric user and supports up to 1000 lbs of occupant weight. Extended casters achieve optimal weight balance on the rear wheels for excellent ease of propulsion.



Available options (see order form)

- Transit tie downs WC-19 & ISO-7176-19
- 30° manual dynamic recline
- Custom sizes (wider than 48")



Dynamic tilt	No tilt	Seat height	14" – 20"
Weight capacity	Up to 1,000 lb	Back seat angle	85 – 100°
Seat width	20" – 48"	Overall width	+8.0"
Seat depth	16" – 24"	Chair weight	44 lb

PDG online

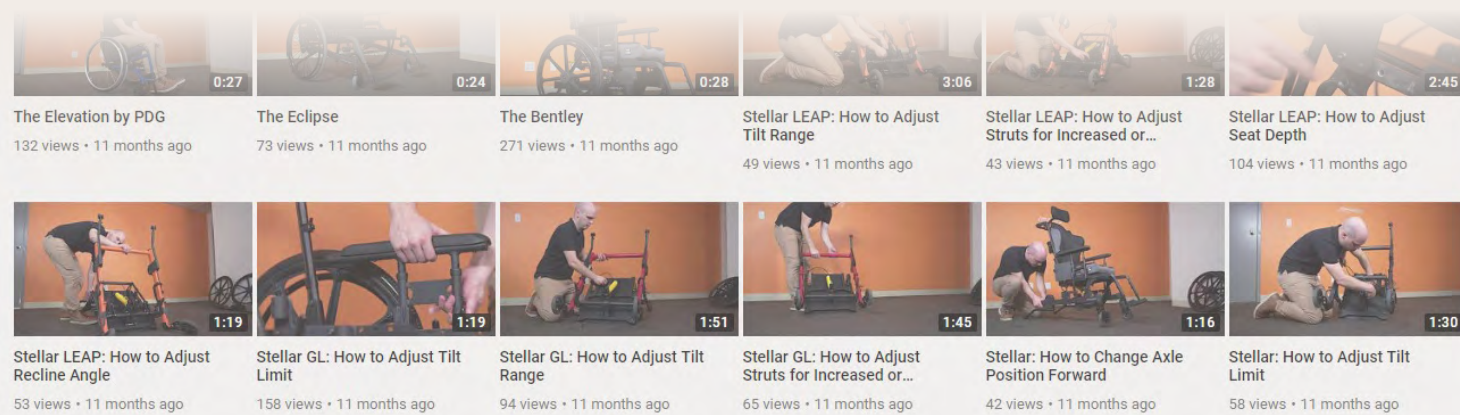
PDG Blog - blog.pdgmobility.com

Visit our blog for the latest product and company updates, technical bulletins, and other relevant content.



Product Videos - youtube.com/pdgmobility

Visit our YouTube channel for how-to videos for frequently performed adjustments and part replacements.



PDG Website - www.pdgmobility.com

Find the current product order forms, parts lists, user manuals, regulatory information, and much more.



My PDG chair

Frame Colors



Chair Customization

Many wheelchair users have specific needs that are not addressed by standard wheelchairs and accessories. PDG Mobility has a long track record of successfully providing custom wheelchair options, such as:

- Custom seat pan shapes
- Extreme angles of tilt and recline
- Wheel-less wheelchairs
- Seat-to-Floor heights ranging from 7” to 26”
- Super-heavy-duty versions of our chairs
- Custom wheel-lock systems

We have complete in-house design, engineering, and manufacturing capabilities. No project is too small or too big for us.

PDG Mobility is committed to offering all chair users the best possible experience and fit.

Contact us today to discuss your unique wheelchair accessory or function requirements.



pdgmobility.com

info@pdgmobility.com
888 858 4422 | 604 323 9220